



TheUltimax

Powerful. Compact. Proven Reliability

- Single or Dual Speed Models
- Reliable performance and long service life
- UL, TUV, CSA, and CE/VDE/GS certified
- Cool running 56 frame motor
- Available in 230V or 115V 60Hz motors for North America and 230V 50Hz TEFC motors for Europe



Ultimax SpaPump

Premier Ultimax pumps are the ultimate benchmark in design flexibility and performance. From small applications for zone seating and focused therapy up to multi pump configurations to run 100+ jetted systems. Ultimax pumps supply the specific performance features you require and the long service life and powerful performance spa owners demand.

FEATURES

- High flow rates exceeding 325 gallons per minute for maximum performance in your luxury applications.
- All seals are carbon ceramic with Viton® elastomers for long-lasting performance, easily enduring prolonged heat and chemical exposure.
- Multi-directional volute mountings provide the flexibility to accommodate any configuration; 2" and 2.5" suction options.
- Choose single-or two-speed motor from 1.5 to 4 HP; with two-speed models, sanitation and heating can occur while maintaining lower operational costs.
- Specify an ultra efficient motor and our highest efficiency hydraulics versions help meet appliance efficiency regulations.

Ultimax Domestic



Ultimax
International

OPTIONS

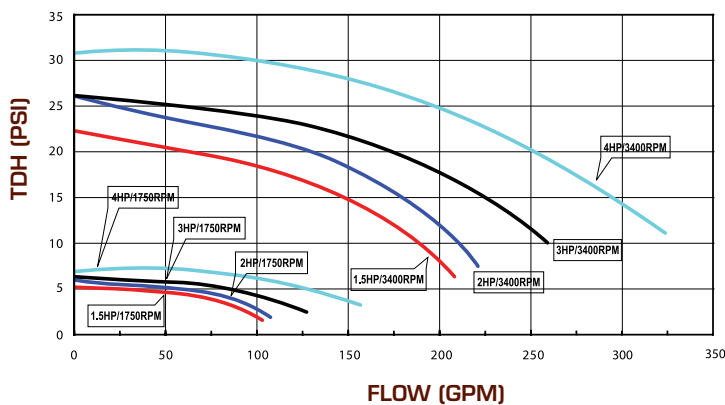
- True rated 1.5, 2, 3 and 4 HP models
- 115 volt options in 1.5 HP; remaining motors 230V 60Hz for North America and 230V 50 Hz TEFC motors for Europe
- 48 or 56 Frame Size 60 Hz
- 80 or 90 Frame Size 50 Hz
- Class F insulation
- Single or 2-speed models
- All spa pack or plug and play connection leads available

SPECIFICATION

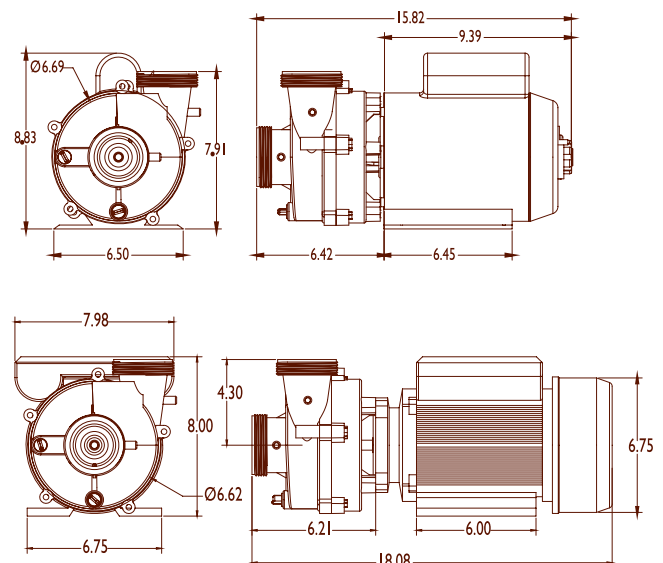
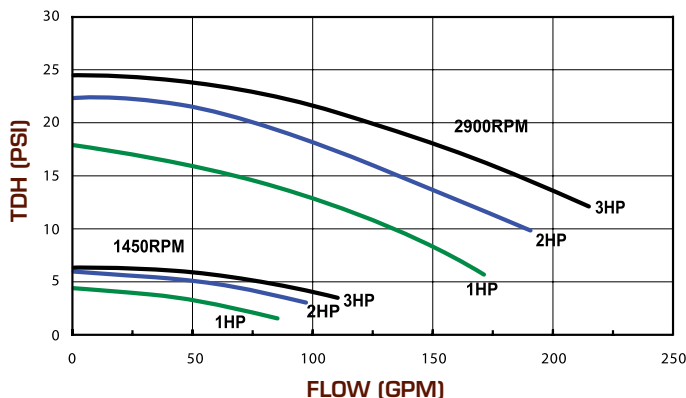
- Center suction/radial side discharge orientation
- Suction Port: 2" or 2.5"
- Discharge Port: 2"
- Mechanical Seal: Carbon ceramic with Viton elastomers

Plumbing configuration effects pump performance. Engineering consultation is available to find the best pump for all your spa needs.

60Hz PERFORMANCE CURVE North America Model



50Hz PERFORMANCE CURVE International Model



ULT1208

©2009 Balboa Water Group. Your Single Source Solution. All rights reserved.
1382 Bell Avenue | Tustin, CA 92780 | p 714.384.0382 | www.balboawatergroup.com

BALBOA
water group